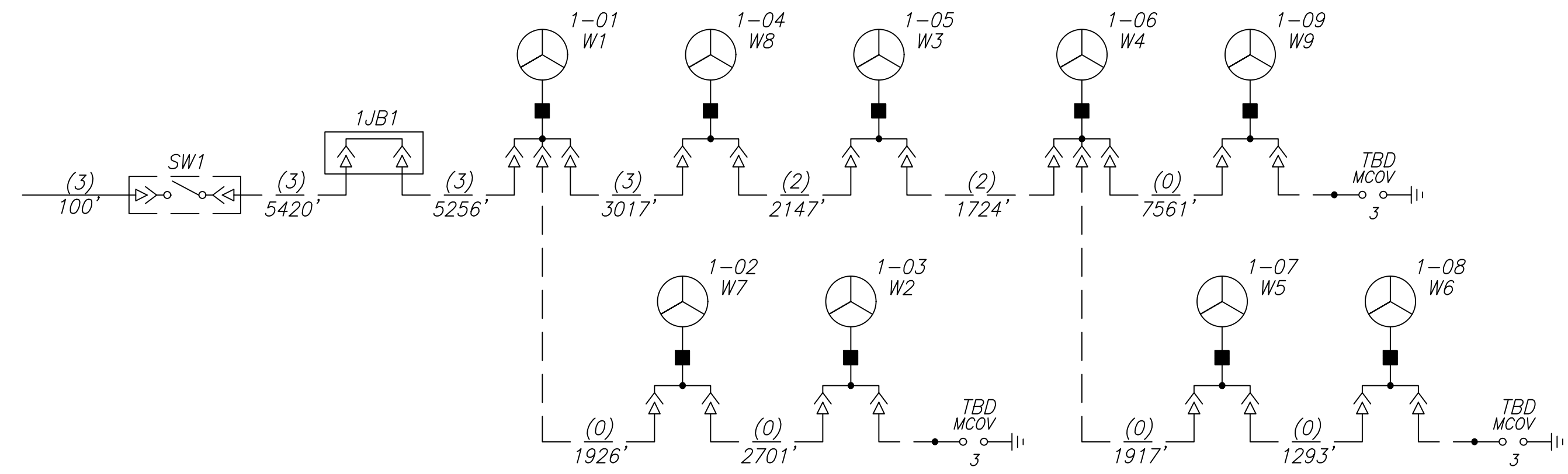
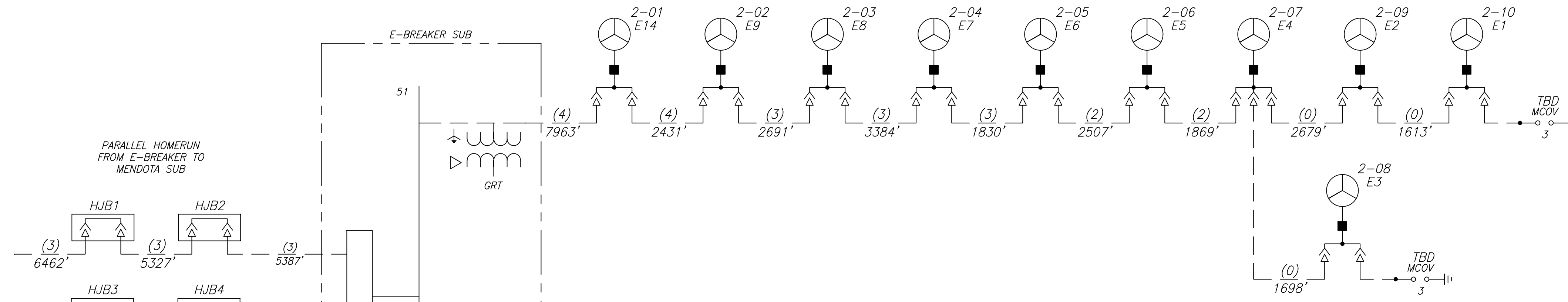


PLOTTED: 03/02/22 04:16:39 PM FILENAME: E:\00 PROJ\220000638 GSG Repower Collection Assessment\3.0 Design\3.2 Drawings\3.2.6 Collection Plan Set\3.2.6.3 SLDs\GSG_GE3.4_SLD\GSG-102.DWG USER: jsnodgrass

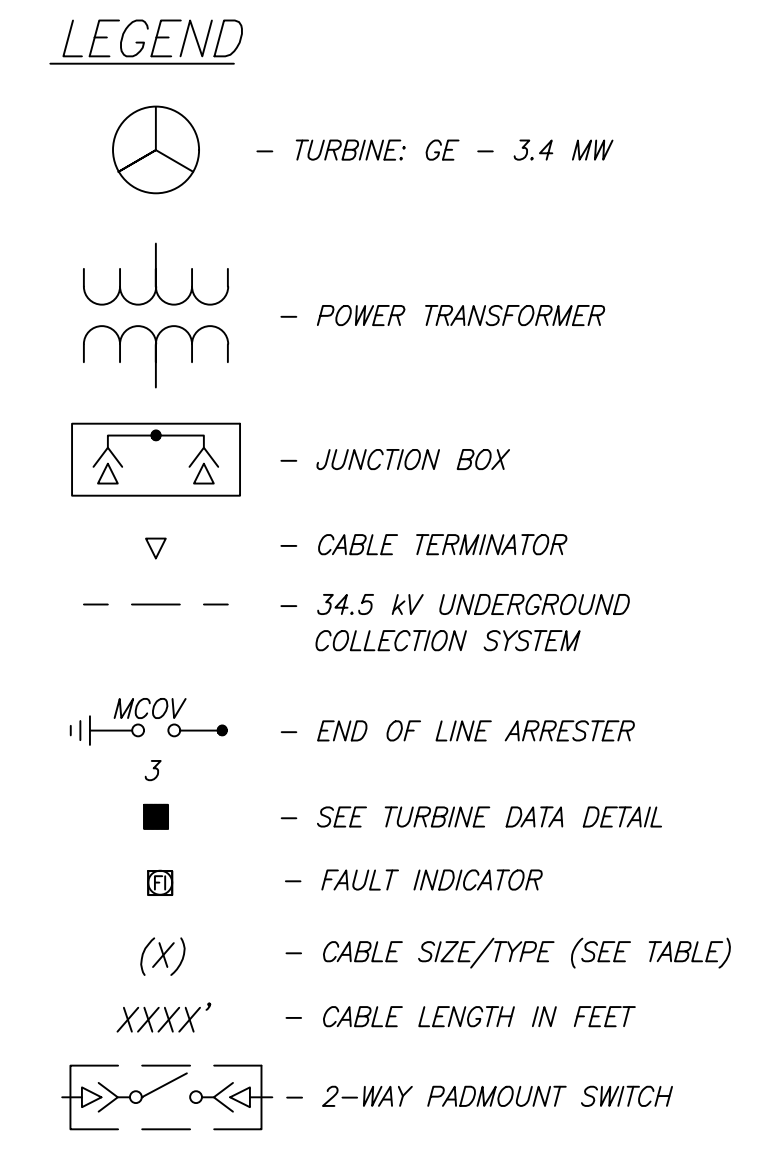
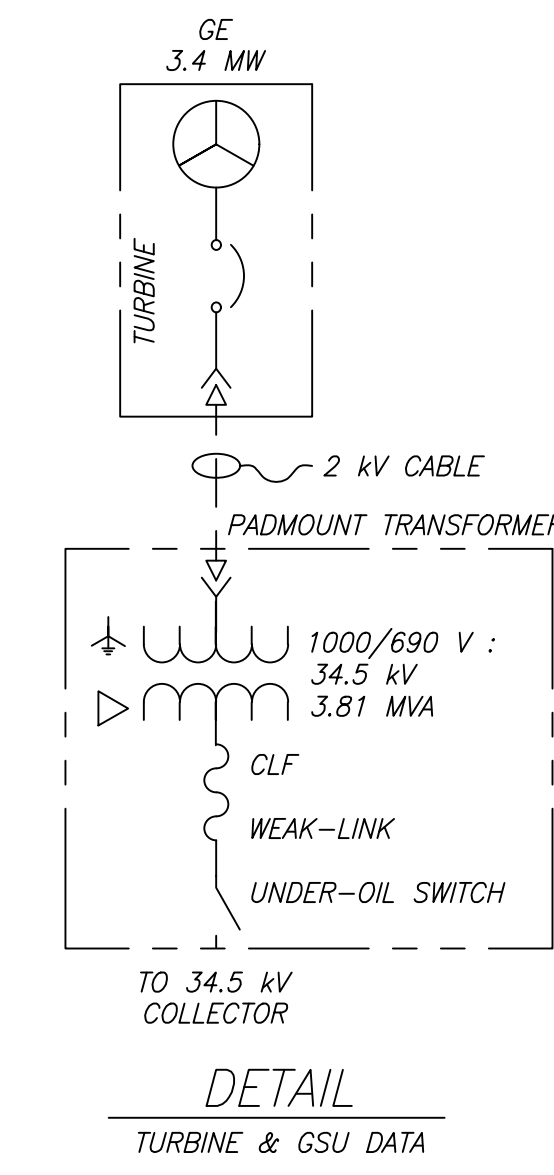
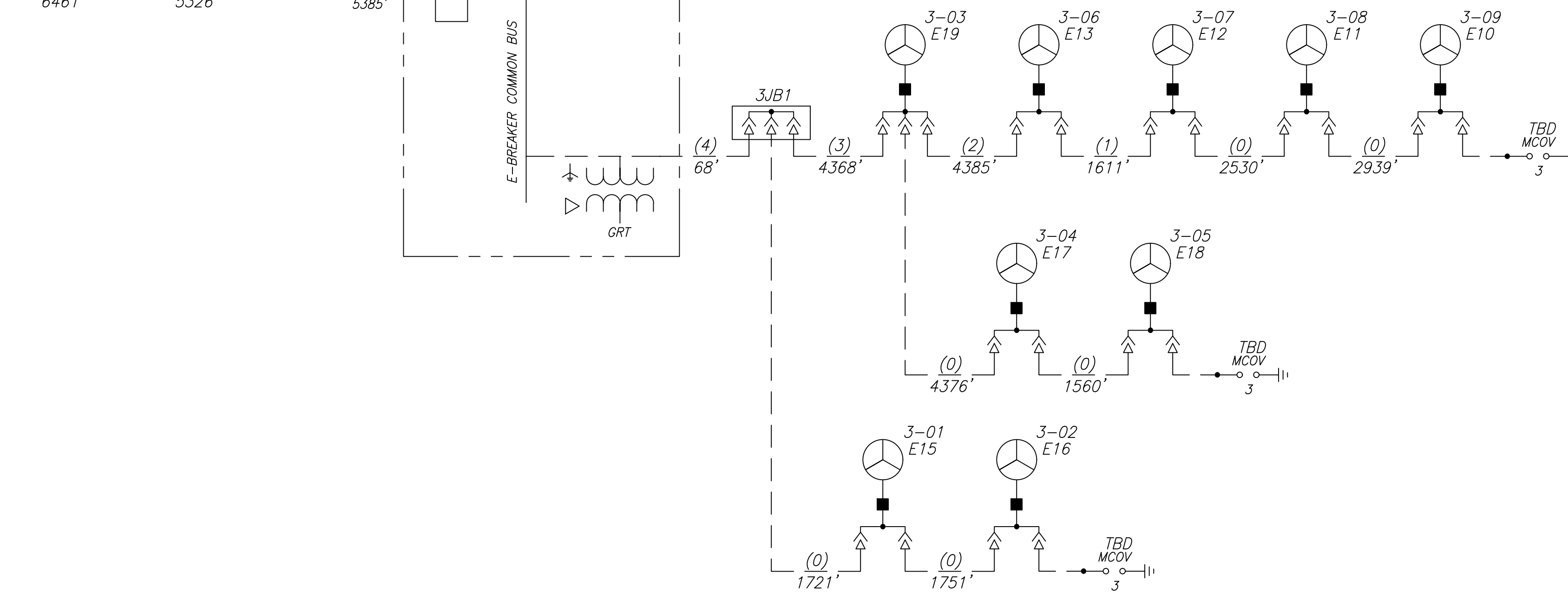
TO COLLECTOR SUBSTATION
DRAWING TBD
FEEDER 1



TO COLLECTOR SUBSTATION
DRAWING TBD
FEEDER 2



TO COLLECTOR SUBSTATION
DRAWING TBD
FEEDER 3



- NOTES**
- TRENCH LENGTHS ARE LINEAR WITH A 3% ADDER. TRENCHES CONTAIN 3 CONDUCTORS.
 - CONDUCTOR LENGTHS INCLUDE A 70' PER PHASE, PER RUN ADDER.
 - CABLE AMPACITY PER REPORT.
 - ARRESTER RATINGS TO BE DETERMINED AFTER INSULATION COORDINATION STUDY

GENERATION SUMMARY			
FEEDER NUMBER	NUMBER OF 3.4 MW TURBINES	TOTAL MW	CURRENT (A)*
1	9	26**	509
2	10	34.0	666
3	9	30.6	599
TOTAL:	28	64.6	1773

*CURRENT CALCULATED AT 0.9 POWER FACTOR AND 0.95 PER-UNIT VOLTAGE
 **CURRENT CALCULATED BASED ON MAX MW EXPORT OF 26 MW FOR SUBLETTE FEEDER PER LGIA

CONDUCTOR SUMMARY							
	CABLE SIZE AND TYPE	TRENCH LENGTH (FT)	RUNS	CABLE LENGTH (FT)	AMPACITY	MAX LOADING (A)	MAX WTG/CONDUCTOR
(0)	UG 1/0 AWG AL (Full CN)	36266	14	111738	154.8	133.1	2
(1)	UG 4/0 AWG AL (1/2 CN)	1611	1	5043	234.1	199.65	3
(2)	UG 500 KCMIL AL (1/3 CN)	12632	5	38946	378.1	332.75	5
(3)	UG 1000 KCMIL AL (1/6 CN)	61071	13	185943	548.5	598.95	9
(4)	UG 1250 KCMIL AL (1/6 CN)	10464	3	32022	767	665.5	10
TOTAL:		122044	36	373692			

PRELIMINARY RESULTS



COPYRIGHT © 2022 ATWELL, LLC
 THIS DRAWING IS A COPYRIGHTED INSTRUMENT OF SERVICE OF ATWELL, LLC. ANY RE-USE OR COPYING OF ANY PORTION OF THIS DRAWING WITHOUT WRITTEN PERMISSION FROM AN AUTHORIZED EMPLOYEE OF ATWELL, LLC IS STRICTLY PROHIBITED. ONLY DRAWINGS MARKED "FOR CONSTRUCTION" AND CONTAINING AN ORIGINAL P.E. STAMP AND SIGNATURE SHALL BE USED FOR CONSTRUCTION. ANY MEDIA TRANSMITTED ELECTRONICALLY SHALL NOT BE CONSIDERED A CERTIFIED DOCUMENT.



REV	DESCRIPTION	ENG	DWN	CHK	DATE	ENG: J. KELLY
A	BID PACKAGE DESIGN - FOR REVIEW	JPK	JPK	JBS	2/8/22	DWN: J. KELLY
B	BID PACKAGE DESIGN	JPK	JPK	JBS	3/2/22	CHK: J. SNODGRASS
						APP:
						DATE:

LEEWARD ENERGY GSG REPOWER WIND PROJECT			
COLLECTION SINGLE LINE DIAGRAM - GE 3.4			
SCALE	NONE	DRAWING	GSG-102
		REV	B

PLEASE LEAVE THIS AREA BLANK FOR PE STAMP